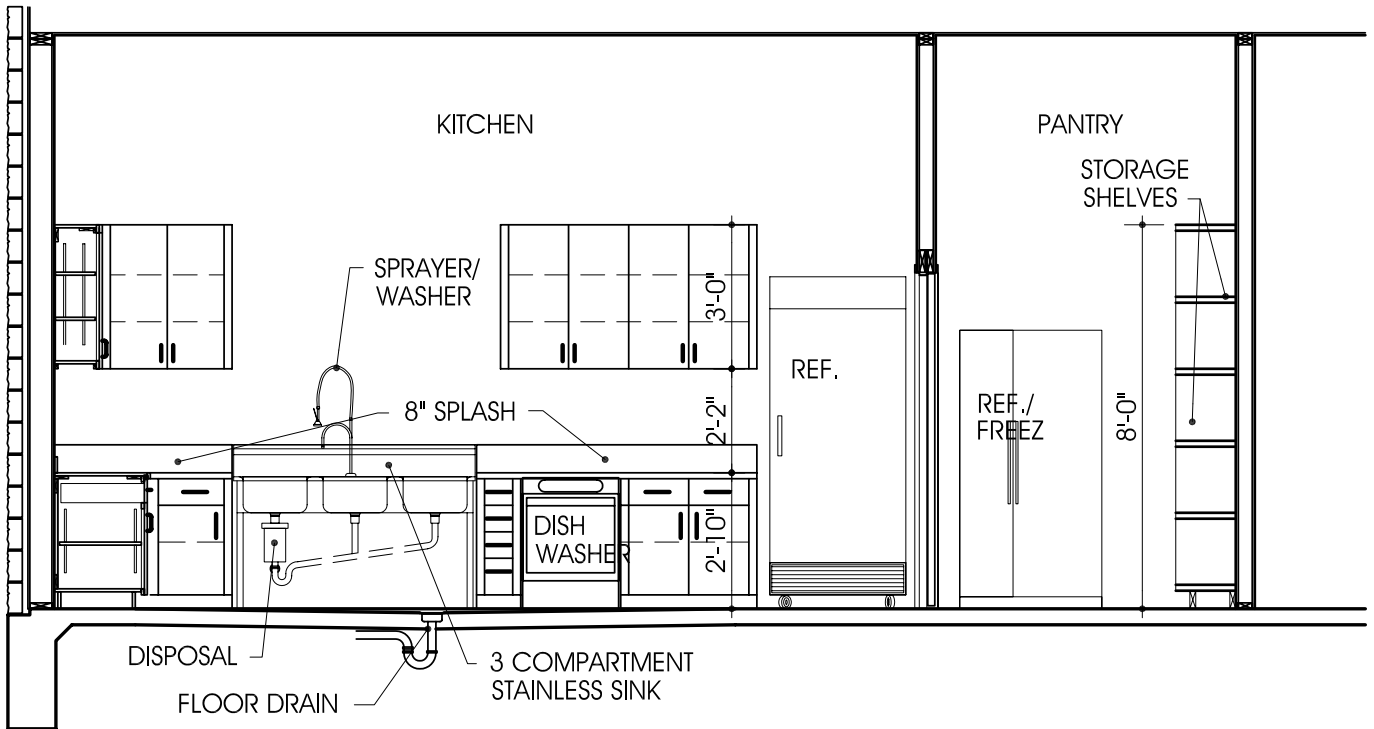


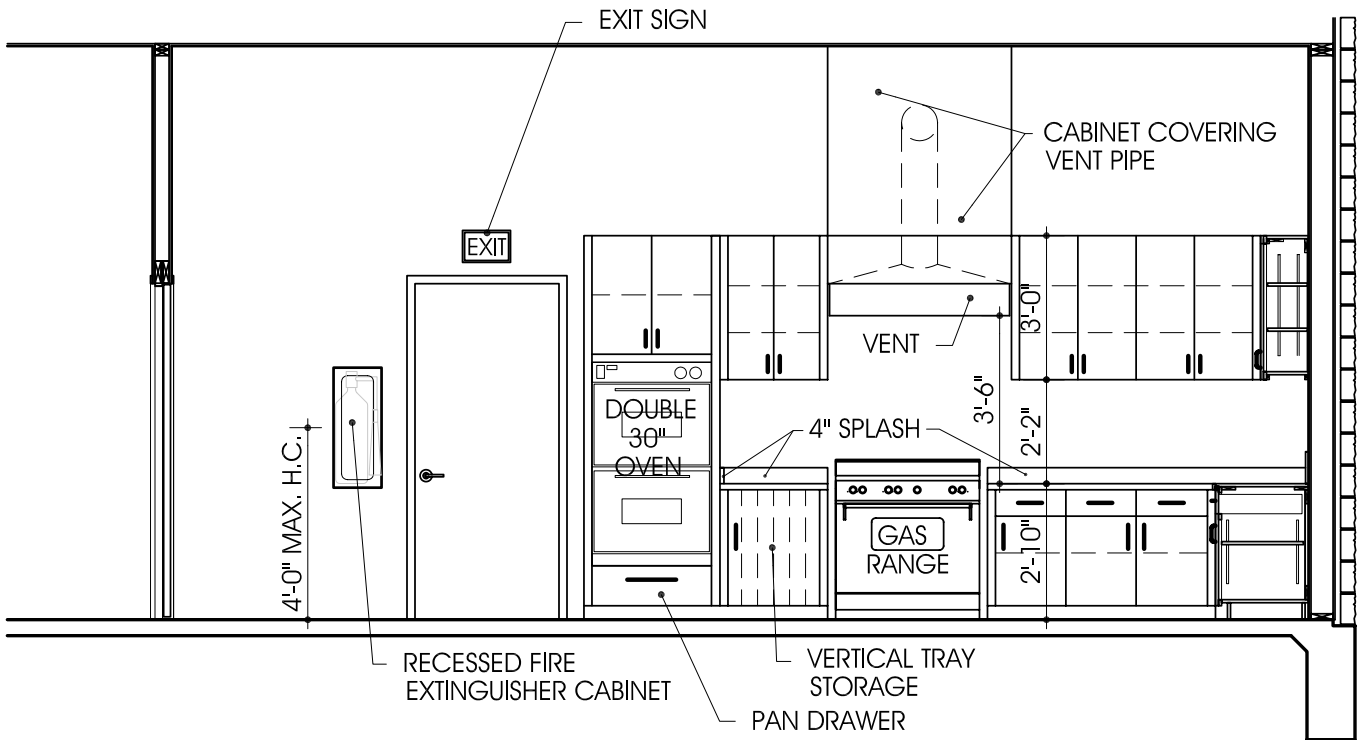
4 ELEVATION

Scale: 1/4" = 1'-0"



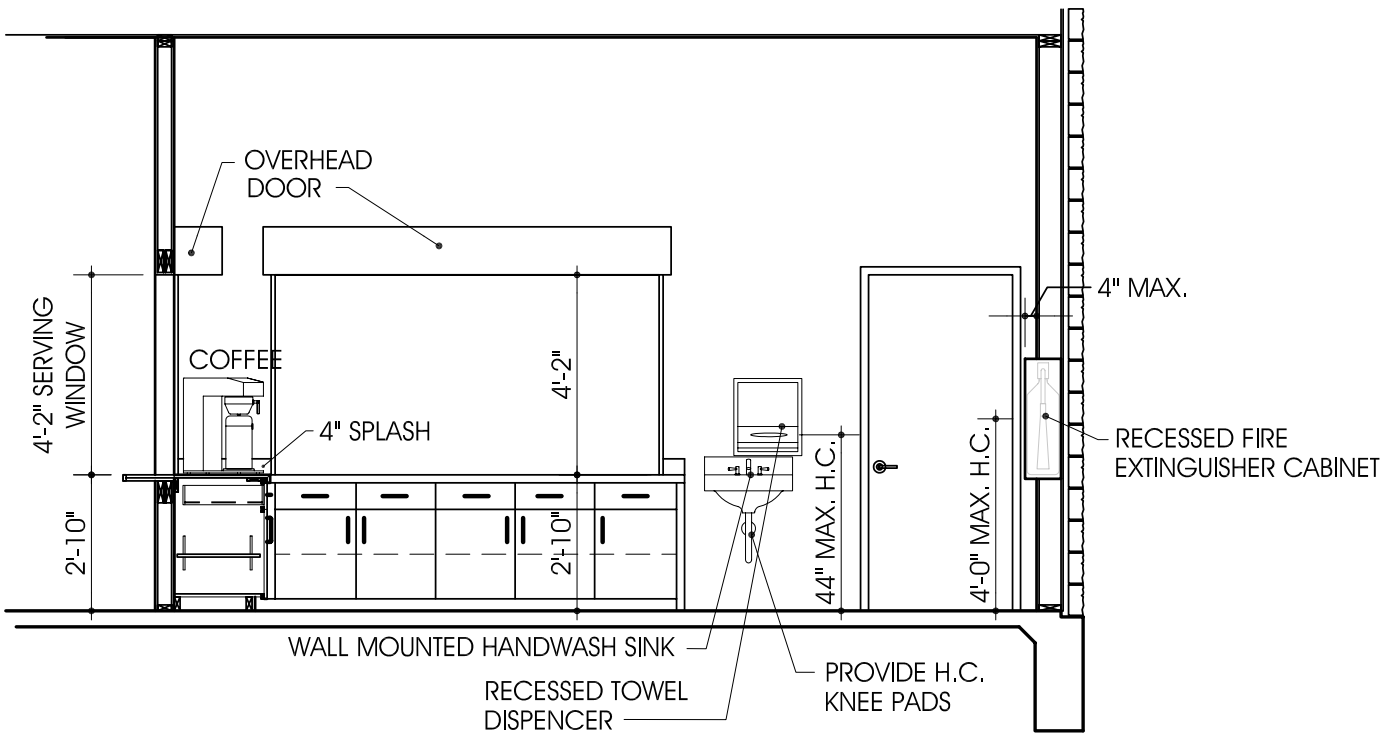
5 ELEVATION

Scale: 1/4" = 1'-0"



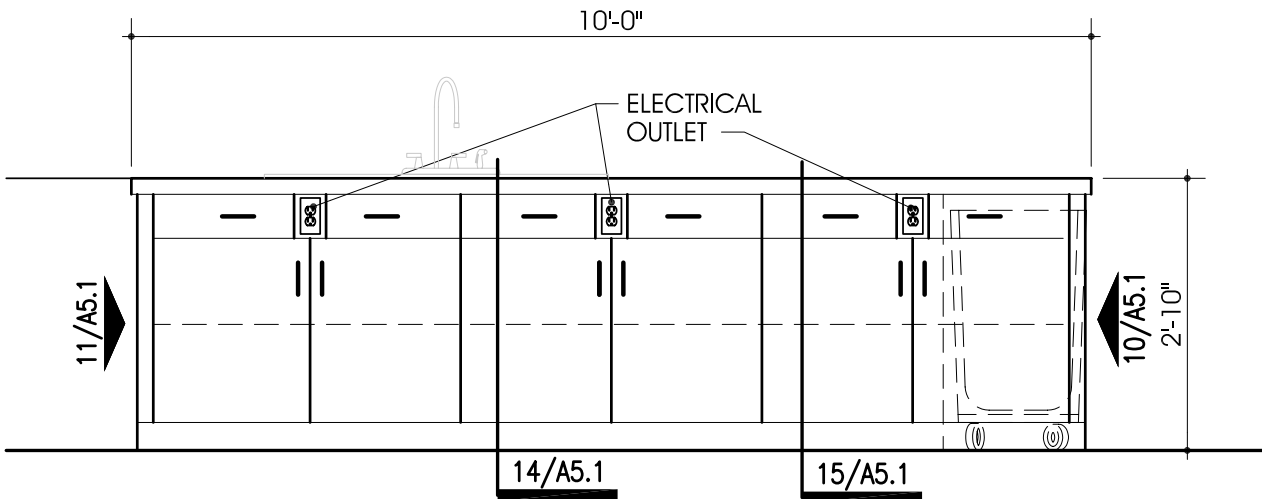
6 ELEVATION

Scale: 1/4" = 1'-0"



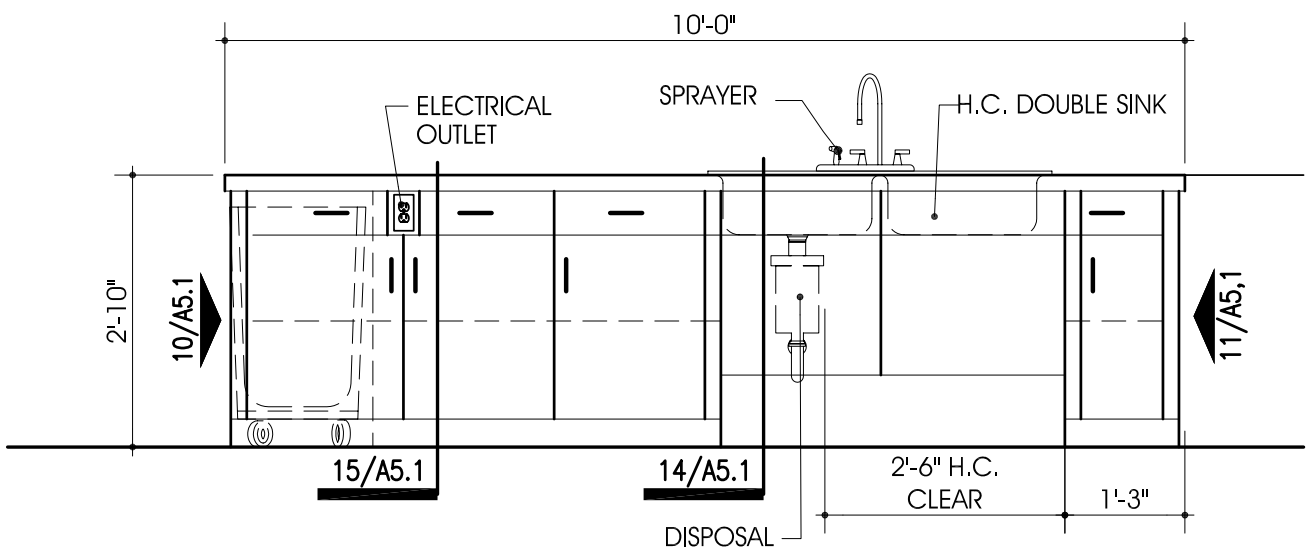
7 ELEVATION

Scale: 1/4"=1'-0"



8 ELEVATION

Scale: 1/2"=1'-0"

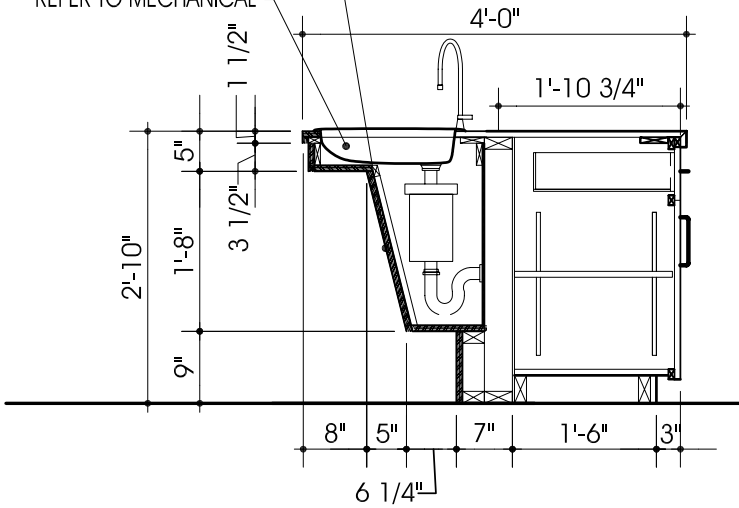


9 ELEVATION

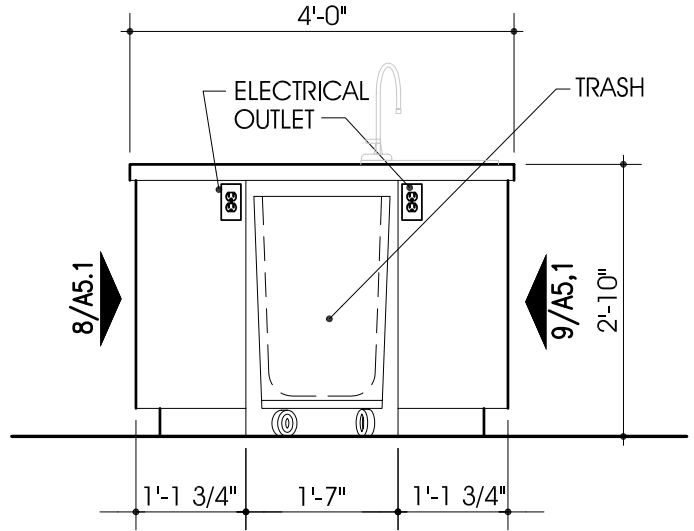
Scale: 1/2" = 1'-0"

ACCESS DOORS ON CONCEALED
HINGES WITH NO PULLS
HANDICAP SINK
REFER TO MECHANICAL

NOTE: ALL SURFACES ARE PLASTIC
LAMINATE UNLESS NOTED OTHERWISE.

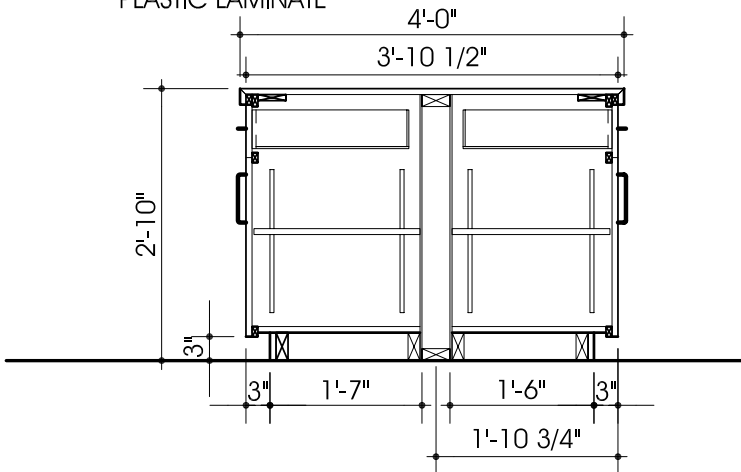


14 DETAIL
Scale: 1/2" = 1'-0"



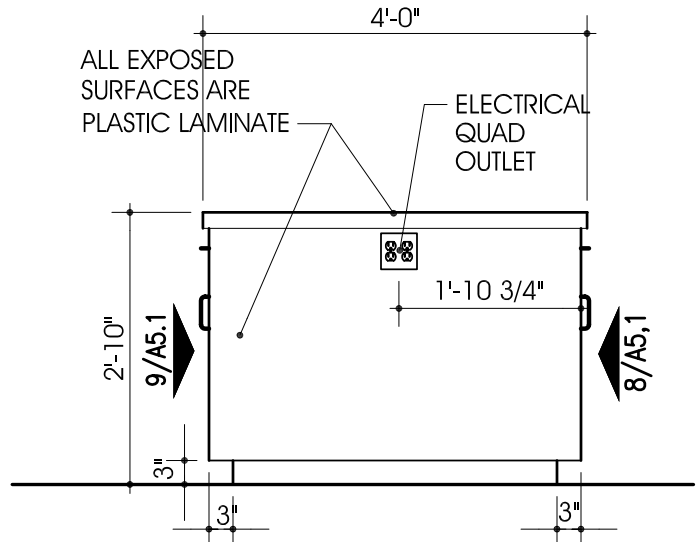
10 ELEVATION
Scale: 1/2" = 1'-0"

ALL EXPOSED
SURFACES ARE
PLASTIC LAMINATE



15 DETAIL
Scale: 1/2" = 1'-0"

ALL EXPOSED
SURFACES ARE
PLASTIC LAMINATE



11 ELEVATION
Scale: 1/2" = 1'-0"